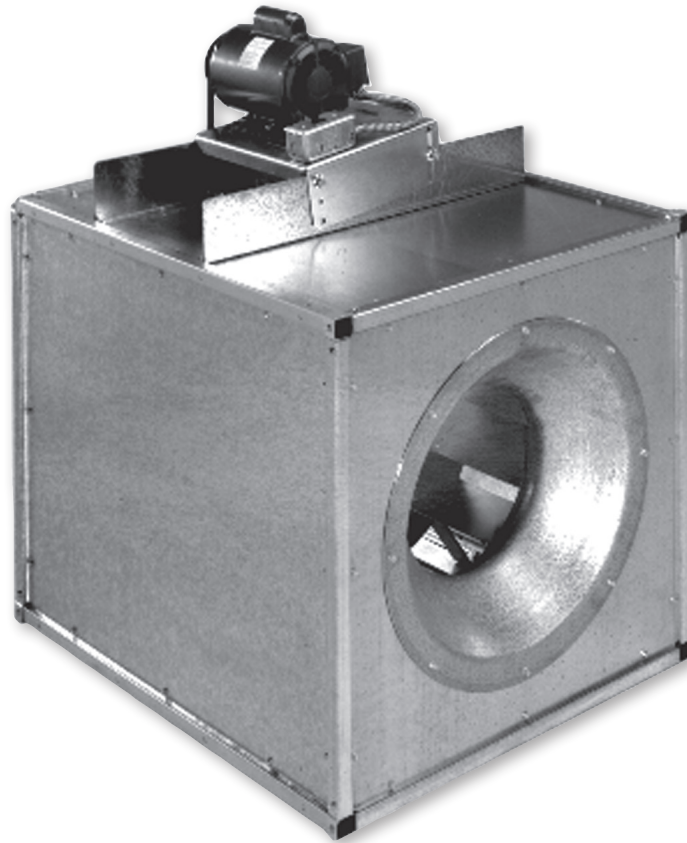




**CIS
Centrifugal Inline Fan**

OPERATION & MAINTENANCE

Revised: 08/24/15



IMPORTANT! READ BEFORE PROCEEDING!

The information contained herein is, to the best of our knowledge, accurate and applicable for proper operation and installation of the specified equipment at the time this document entered service. Before proceeding, it is recommended that you check for a more current version of this Installation Operation Manual (IOM) on our website at www.johnsoncontrols.com.

Read carefully before attempting to assemble, install, operate or maintain the product described. Protect yourself and others by observing all safety information. Failure to comply with instructions could result in personal injury and/or property damage! Retain instructions for future reference.

INTRODUCTION & INSTALLATION

RECEIVING AND HANDLING

YORK® by Johnson Controls fans are carefully inspected before leaving the factory. When the unit is received, inspect the carton for any signs of tampering. Inspect the unit for any damage that may have occurred during transit and check for loose, missing or damaged parts. Mishandled units can void the warranty provisions. If units are damaged in transit, it is the responsibility of the receiver to make all claims against the carrier. YORK® by Johnson Controls is not responsible for damages incurred during shipment.

Avoid severe jarring and/or dropping. Handle units with care to prevent damage to components or finishes. If the unit is scratched due to mishandling, the protective coating may be damaged. Incorrect lifting may damage the fan and void the warranty.

STORAGE

Long-term storage requires special attention. Store units on a level, solid surface, preferably indoors. If outside storage is necessary, protect the units against moisture and dirt by encasing the cartons in plastic or in some similar weatherproof material. Periodically inspect units and rotate wheels to spread bearing lubricant. Failure to rotate wheels results in reduced bearing life and may void the manufacturer's warranty. If the unit will be stored for an extended time, remove belts. Belts which remain under tension in a stationary position for extended periods are likely to have a reduced operating life.

UNPACKING

Place the carton in an upright position and remove the staples or use a sharp (knife edge) tool to carefully cut or scribe the sealing tape on both sides at the top of the carton. Open carton flaps. Remove any cardboard and wooden filler pieces, as well as loose components or accessories shipped with the unit.

Carefully remove the unit from the carton. Inspect the unit for any damage that may have occurred during transit and check for loose, missing or damaged parts.

INSTALLATION

Fans must be directly supported by building structure. Follow building's blue prints carefully when installing.

Installing the Dampers: Inline Mounting

When required, dampers must be positioned and fastened to the duct or fan housing.

Roof Mounting: When required, install dampers prior to mounting the unit on the curb or frame. Secure dampers to the inside of the curb without undue twisting, which may distort the damper frame. Damper frame must be reasonably level on all sides. Check for free operation. If dampers are motor operated type, make certain that proper voltage (for electric type) or air pressure (for pneumatic type) is connected to motor terminals.

Positioning and Running Power Lines: Inline Mounting

Power is normally brought from within the building through proper conduit lines to the unit. It is then fed to the (disconnect switch, if furnished, and) motor. For belt driven units, lines can be fastened to the exterior of the Inliner with appropriate fastening devices. All direct driven Inliner units are pre-wired. Ground and 12-gauge line wire are provided between the motor and a junction box mounted on the exterior of the fan housing.

Roof Mounting: Power is normally brought from within the building through proper conduit lines and placed inside one corner of the curb. Feed power line through the clearance hole provided in the backdraft damper and in turn fed (through the disconnect switch, if furnished) to the fan motor.



Some local codes prohibit the connection of in-line, aluminum fans in kitchen hood exhaust systems. According to present NFPA96 interpretation, ANY fan used in such duct work must be made of steel, with liquid-tight welds at all seams and connections. If local codes are in accordance with NFPA96 do not use ANY FAN that is not completely welded closed for such duty. Refer to YORK® by Johnson Controls's EVU and US products for roof and wall mounted exhausters approved for use on kitchen hood exhaust systems.

INSTALLATION (CONTINUED)

Anchoring and Securing the Ventilator: Inline Mounting

Inliners are designed for all angle mounting. Method of installation is dependent upon job conditions and may, under specific circumstances, require support legs, angle supports or casing brackets. Vibration eliminators, where required, should be installed jointly with the units. Flexible duct connectors are common accessories, and if used, should overlap the duct at least 2". Test wheel for freedom of movement before installing unit. If wheel does not rotate freely then loosen venturi screws, move venturi until wheel rotates freely and tighten screws.

It is particularly important to remember that the venturi end is the inlet side of the Inliner. Position the unit so that the airflow direction desired is proper; the inlet is marked "Inlet Side".

When the Inliner has been placed into its proper position, connect it to the duct system. Duct on inlet and discharge sides should be the same height and width as the inside dimensions of the square housing frame. Flare out the ductwork 90° to easily screw to faces of unit. A length 2.5 times the housing square should be installed before elbows or transitions are used.

Appropriately sized fasteners should be used and drawn secure and tight. Correct fan wheel rotation should be in the direction of the arrow affixed to the unit. Normally the wheel should rotate clockwise when looking into the inlet side of the Inliner.

Roof Mounting: Whenever possible, anchor the fan by fastening through the angle hanger brackets. The type, size and number of fasteners depends upon the unit size and curb construction. If fastening is prescribed by code or specification through any part of the unit, then neoprene or lead washers should be used under the head of each fastener. Large units installed in areas subject to high winds or unusual field conditions, or any units with hooded intakes or upblast tubes may require additional fastening with guy wires. If the contractor removes the ventilator parts to facilitate installation and electrical connections, all parts should be reassembled exactly as they were found prior to removal. All fasteners are to be drawn tight and secure.

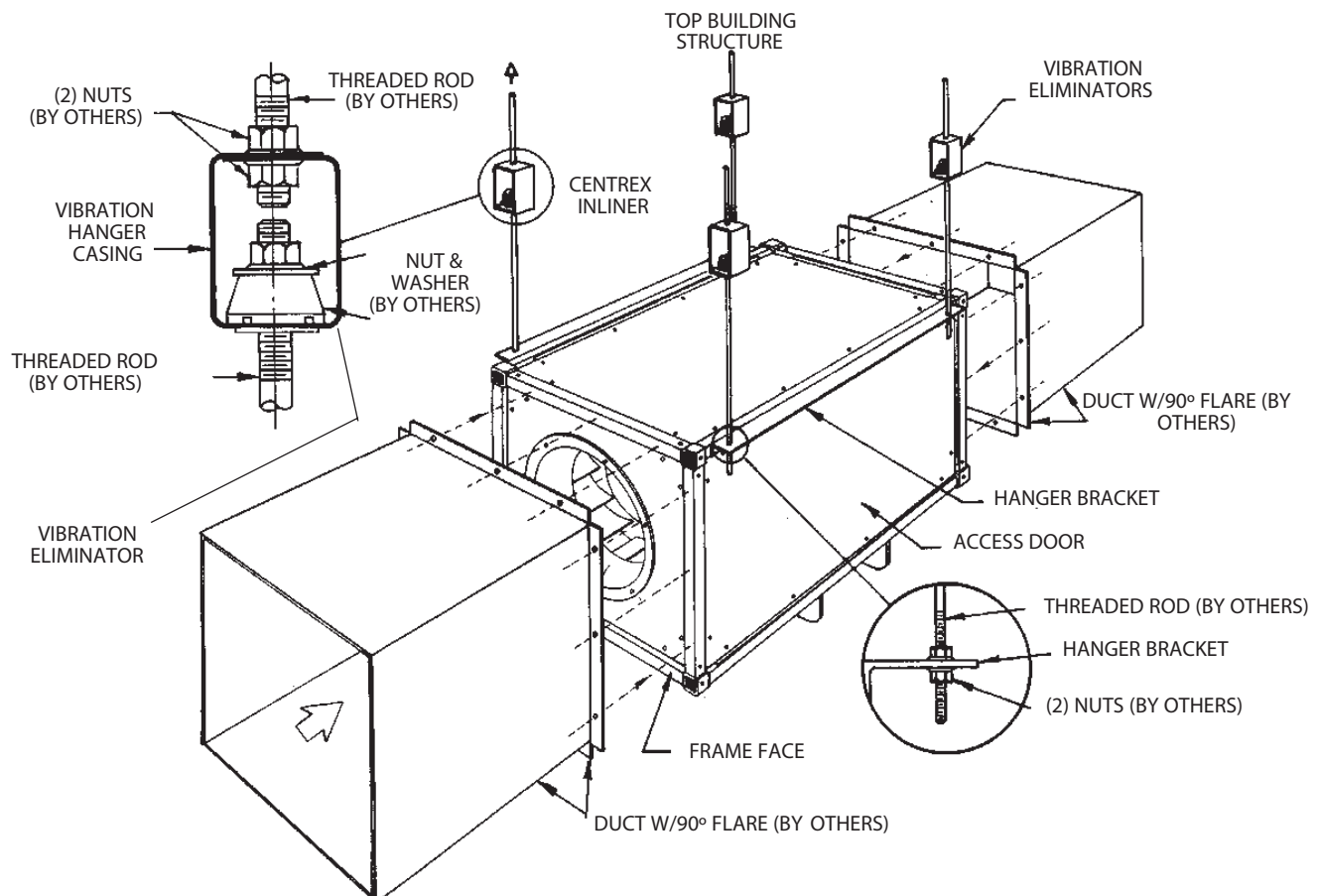


FIGURE 1: DUCT ASSEMBLY

START-UP & OPERATION

START-UP AND OPERATION

Carefully inspect the unit before start-up. All motor fasteners should be securely tightened. Centrifugal wheel should be rotated by hand to insure free movement. See page 6 for wheel alignment procedure. (NOTE: Before placing hand on centrifugal wheel or belts, lock out power source.) Check all set-screws and keys. Tighten when necessary.

Check the condition of belts and the amount of tension prior to start-up. DO NOT over tighten, as bearing damage will occur. Recommended belt tension should permit deflection of 1/64" of the belt on each side of the belt measured halfway between the pulley centerline. Exercise extreme care when adjusting belts as not to misalign the pulleys. Any misalignment will cause a sharp reduction in belt life and produce squeaky, annoying noises. On units equipped with two or three groove pulleys, adjustments must be made so that there is equal tension on all belts.



Whenever belts are removed or installed, never force belts over pulleys without loosening motor first to relieve belt tension.

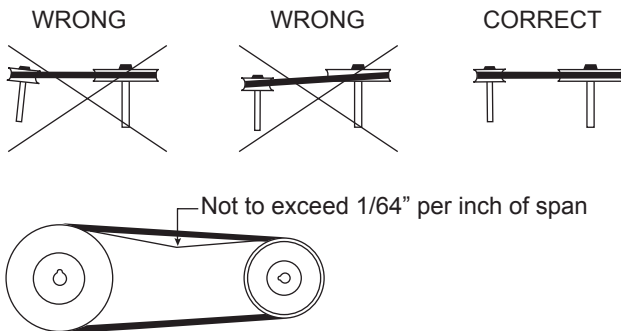


FIGURE 2: PULLEY ALIGNMENT

Make sure inlets and approaches to the unit are free from obstruction.

When power lines are brought up to the unit, provide a generous amount of slack to allow for motor deflections and to permit movement of motor for belt tension adjustments. Ground motor adequately and securely. Protect power lines from sharp objects. Do not kink power line or permit it to contact hot surfaces, chemicals, grease or oil. Use only UL recognized electrical parts, rated for proper voltage, load and environment.

Before operating the fan, complete the following checklist:

1. Turn off power source.
2. Make sure installation is in accordance with manufacturer's instructions.
3. Check and tighten all fasteners.
4. Spin centrifugal wheel to see if rotation is free.
5. Check all set-screws and keys - tighten if necessary.
6. Torqued set screws have a colored Torque Seal mark indicating the correct torque has been applied.
7. Check belt or direct drive coupling for alignment (use recommended belt tension gauges).
8. Check belt for proper sheave selection.
9. Make sure there is no foreign or loose material in ductwork leading to and from fan or in the fan itself.
10. Properly secure all safety guards.
11. Secure all access doors to fan and ductwork.
12. Check line voltage with motor nameplate.
13. Check wiring.

START-UP & OPERATION (CONTINUED)



On single phase motors, the terminal block must be set up in accordance with the nameplate instructions and/or wiring diagram. This set up must match the line voltage. If the motor is multi-speed or multi-voltage, the winding leads must be grouped and connected as shown on the motor wiring diagram. The line voltage must correspond with proper grouping of motor leads. The wiring diagram must be followed explicitly or serious motor or starter damage will occur.

The ventilator has been checked at the factory prior to shipment for mechanical noises. If mechanical noises should develop:

1. Check rotating components for adequate clearance.
2. Check proper belt tension and pulley alignment.
3. Check installation and anchoring.
4. Check fan bearings.

Switch on electrical supply and allow fan to reach full speed. Check carefully for:

1. Correct rotation of the centrifugal wheel.



Incorrect rotation overloads motor severely and results in serious motor damage. To change rotation of three phase units, interchange any 2 of the 3 line leads. On single phase units, change the terminal block set-up following the wiring diagram on the motor.

2. Check motor and bearing temperatures for excessive heat.

Use care when touching the exterior of an operating motor. Modern motors normally run hot. They are designed to operate at higher temperatures. This is a normal condition but they may be hot enough to be painful or injurious to the touch.

If any problem is indicated, TURN OFF POWER TO UNIT IMMEDIATELY. Lock out the electrical supply, check carefully for the cause of the trouble and correct as needed. Even if the fan appears to be operating satisfactorily, shut down after a brief period and check all fasteners, setscrews and keys for tightness.

During the first eight (8) hours of operation, check the fan periodically for excessive vibration or noise. At this time, also check motor input current and motor bearing temperatures to insure that they do not exceed manufacturer's recommendations. After eight hours of satisfactory operation, shut down the fan and lock out the electrical power to check the following items and adjust if necessary:

1. All set-screws, keys and fasteners.
2. Drive coupling alignment.
3. Belt alignment.
4. Belt tension.

MAINTENANCE

MAINTENANCE

Do not attempt maintenance on a fan until the electrical supply has been completely disconnected. Lubrication is a primary maintenance responsibility. Check all bearings periodically. Inspect belts for tightness. If the fan is installed in a corrosive or dirty atmosphere, periodically clean the centrifugal wheel, inlet, motor housing and other moving parts.

Fan Shaft Lubrication

Fan shaft bearing pillow blocks are furnished in either the pre-lubricated sealed-for-life type or the greasable type depending on what was ordered. The pre-lubricated type requires no servicing for 7 to 10 years of normal use and the greasable type are factory greased eliminating the need for greasing initially. Follow the lubricating schedule recommended by the factory. This practice should not supersede any safety considerations.

Lubrication Schedule

Always follow the bearing manufacturer's recommended lubrication schedule. If none is available use the following general schedule.

1. Under average conditions where ambient temperatures do not exceed 120°F, lubrication is required 1 to 2 times a year.
2. Under dirt laden atmosphere where there is a temperature range of 120°F to 150°F, lubrication is required from 3 to 6 times a year.
3. Under extreme temperature conditions and extremely dirty atmospheres, lubrication should be scheduled at least once or twice a month.
4. Belt driven units maximum temperature should not exceed 160°F. Direct driven models have temperature range stamped on motor.

Motor Lubrication

In general, standard motors are furnished with prelubricated, sealed-for-life ball bearings which require no lubrication for 7 to 10 years of normal service. Where motors have been ordered with greasable bearings, these bearings are factory lubricated and require no attention for one year under normal conditions. If grease relief fittings are provided, remove them when performing maintenance to allow grease to flow out. Whenever possible, apply grease while the motor is running. This practice should not supersede any safety considerations. **DO NOT OVER GREASE**, as most lubricants deteriorate motor windings, thereby reducing motor life and presenting a fire hazard.



Use low pressure grease guns only. High pressure guns tend to blow out or unseat bearing seals, leaving the bearing open to collect grime, dust and foreign particles.

RECOMMENDED LUBRICANTS

Manufacturer	Product	Temperature Range
BP	LG-#P-1	Below 32°F (0°C)
Gulf	Gulfcrown EP-1	
Imperial Oil	Unirex EP-1	
Shell	Alvania R-1	
BP	Energrease, MPMK11	32°F to 150°F (0°C to 66°C)
Gulf	Gulfcrown EP-2	
Imperial Oil	Unirex EP-2	
Shell	Alvania R-3	
Sun Oil	Sun Prestige 42	
Texaco	Regal AFB2	

HIDDEN DANGERS & SPECIAL PURPOSE SYSTEMS

HIDDEN DANGERS

In addition to the normal dangers of rotating machinery, fans present an additional hazard in their ability to suck in not only air, but loose material as well. Solid objects can pass through the fan and be discharged by the impeller as potentially dangerous projectiles. Therefore, screen intake to ductwork, whenever possible, to prevent the accidental entrance of solid objects. Never open access doors to a duct system with the fan running.

When starting the fan for the first time, completely inspect the ductwork and interior of the fan (with the power locked off), to make certain there is no foreign material which can be sucked into or blown through the ductwork.

Where the fan is accessible to untrained personnel or the general public, use maximum safety guards, even at the cost of some performance loss.

Unprotected fans located less than 7' above the floor also require guarding as specified in the Occupational Safety and Health Act (OSHA).

Centrifugal fans may be connected directly to ductwork which will prevent contact with the internal moving parts, but when the inlet or outlet is exposed, install a suitable guard. YORK® by Johnson Controls recommends the use of guards on all exposed non-ducted fans, ceiling and wall mounted.

SPECIAL PURPOSE SYSTEMS

Explosive, corrosive, high temperatures, etc. may require special construction, inspection and maintenance. It is necessary to observe the fan manufacturer's recommendations and limitations concerning the type of material to be handled by the fan and its application to special conditions.

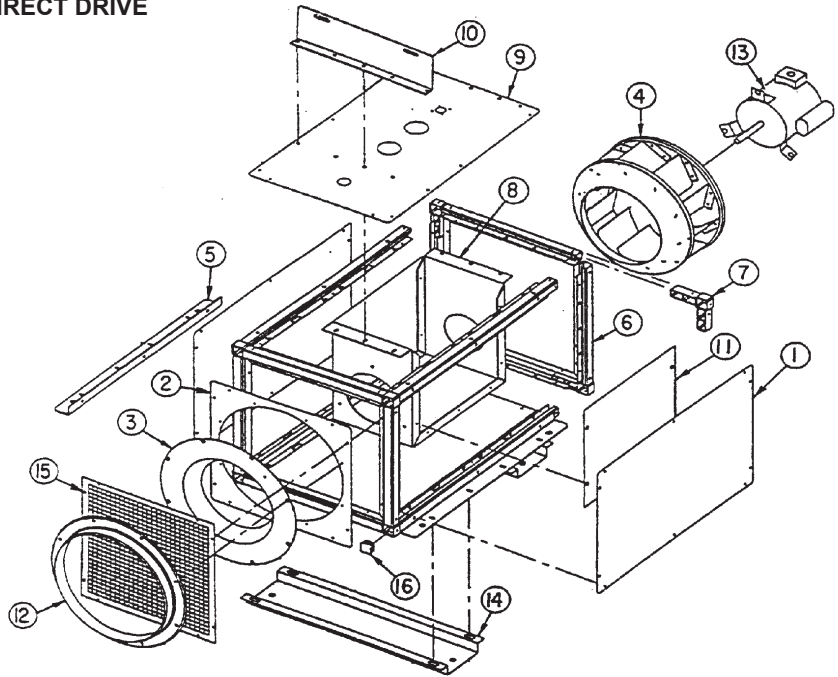
PARTS REPLACEMENT

TYPICAL PARTS

If replacing parts, do so with properly selected components which duplicate the original parts correctly. Incorrectly sized shafts, belts, pulleys, centrifugal wheels, etc. can damage the fan.

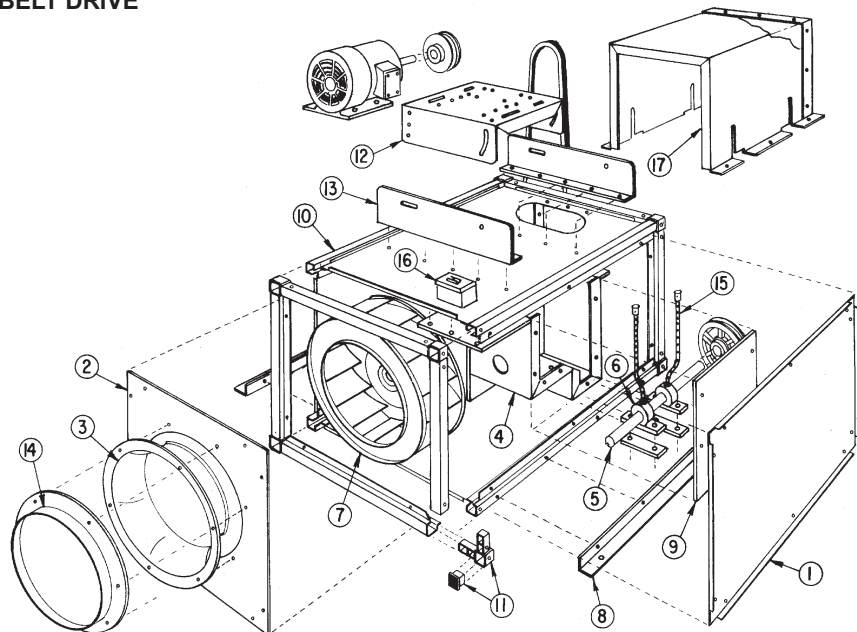
Item	Description
1	Side Panel
2	Venturi Panel
3	Venturi
4	Centrifugal Wheel
5	Hanger Bracket
6	Corner Post
7	Corner Bracket
8	Motor Mounting Plate
9	Top Panel
10	Motor Mounting Plate Support
11	Motor Mounting Plate Cover
12	Round Inlet Ring (Optional)
13	Motor
14	Support Channel (Optional)
15	Inlet Guard (Optional)
16	Plastic End Cap

DIRECT DRIVE



Item	Description
1	Access Panel (3)
2	Venturi Panel
3	Spun Inlet
4	Bearing Support Plate
5	Shaft – Ground and Polished
6	Cast Bearings
7	Centrifugal Wheel
8	Vibration Hanger Bracket
9	Bearing Support Plate Cover
10	Frame Angle
11	Corner Extrusion and Cap
12	Motor Mounting Plate
13	Motor Mounting Plate Supports
14	Round Inlet Ring (Optional)
15	External Lube Lines (Optional)
16	Disconnect Switch (Optional)
17	Motor and Belt Cover (Optional)

BELT DRIVE

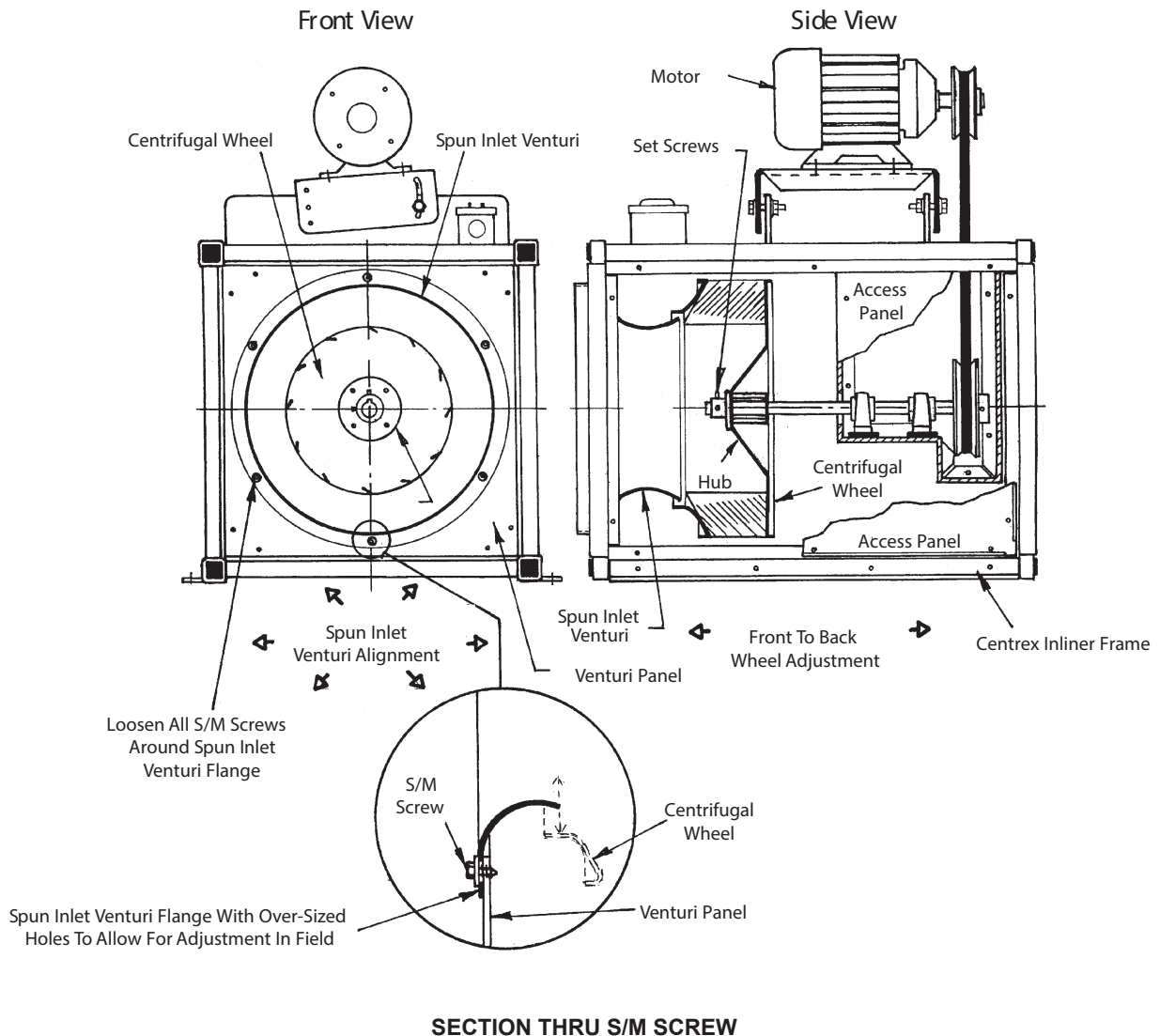


PARTS REPLACEMENT (CONTINUED)

WHEEL ALIGNMENT PROCEDURES

The wheel position is preset at factory and must rotate freely. However, movement may occur due to rough handling prior to installation and realignment may be necessary. If field correction is required follow these procedures:

1. If “Front to Back” adjustment is required, loosen both motor frame support angles (four nuts), relocate frame and retighten.
2. If “Side to Side” adjustment is required, loosen both bearings (four nuts), relocate and retighten.
3. If “Vertical” adjustment is required, loosen both set screws on the wheel hub (accessible from the bottom side of the unit), raise the wheel and retighten.

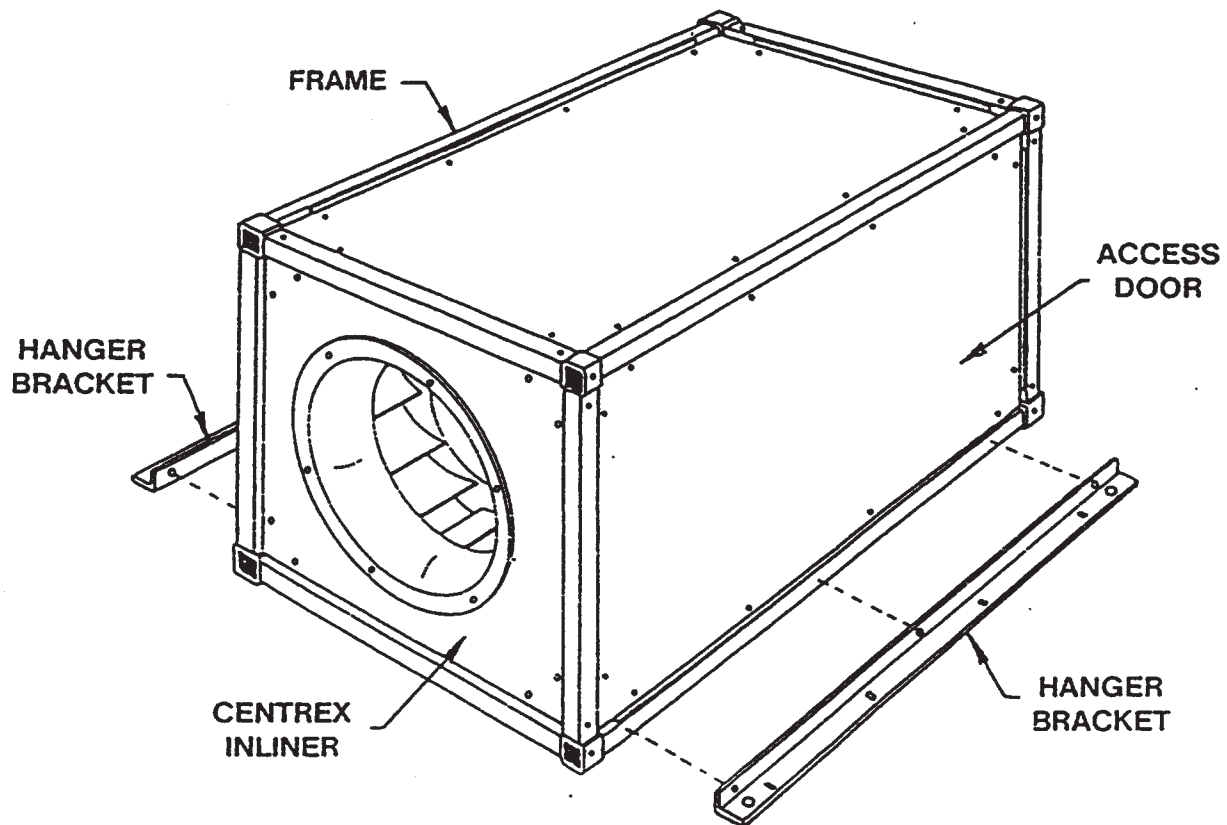


PARTS REPLACEMENT (CONTINUED)

HANGER BRACKET ASSEMBLY INSTRUCTIONS

The unit is manufactured to be easily hung in any direction that best suits the conditions in the field.

1. Simply take a punch and hammer to knock out half-sheared holes on the fan frame to mount the hanger brackets from the desired sides.
2. Nuts and bolts are provided to fasten hanger brackets to unit frame (see drawing below). Depending on size of unit, access door may need to be removed for inserting nuts and bolts thru frame and bracket.



SECTION THRU S/M SCREW

TROUBLESHOOTING CHECKLIST

Symptom	Possible Cause(s)	Corrective Action
Excessive Noise	<ol style="list-style-type: none"> 1. Defective or loose motor bearings. 2. Ventilator base not securely anchored. 3. Loose or unbalanced wheel/propeller. 4. Misaligned pulleys or shaft. 5. Loose or damaged wheel/propeller. 6. Wheel running in wrong direction. 	<ol style="list-style-type: none"> 1. Replace motor with same frame size, RPM, HP. 2. Reset properly. 3. Tighten screws, remove build-up, balance wheel/propeller. 4. Correct alignment. 5. Replace wheel/propeller. 6. Reverse direction.
Fan Inoperative	<ol style="list-style-type: none"> 1. Blown fuse or open circuit breaker. 2. Loose or disconnected wiring. 3. Defective motor. 4. Broken belts. 	<ol style="list-style-type: none"> 1. Replace fuses or circuit breaker. 2. Shut off power and check wiring for proper connections. 3. Repair or replace motor. 4. Replace belts.
Insufficient Airflow	<ol style="list-style-type: none"> 1. Open access doors or loose sections of ducts. 2. Clogged filters. 3. Operation in wrong direction. 4. Insufficient make-up air direction. 	<ol style="list-style-type: none"> 1. Check for leakage. 2. Clean filters. 3. Correct rotation of wheel. 4. Add make-up fan or louver opening.
Water Leaking into Ductwork or Collection of Grease Under Fan	<ol style="list-style-type: none"> 1. Fan installed with slope in the wrong direction. 2. Clogged drain spout. 3. Cooling tube or motor dome top removed. 4. Grease container full. 	<ol style="list-style-type: none"> 1. Slope should be fitted in the direction of the drainage opening or grease collection box and drain spout. 2. Clean drain spout. 3. Install new cooling tube with gasket and dome top. 4. Empty grease box.
Motor Overheating	<ol style="list-style-type: none"> 1. Belt slippage 2. Overvoltage or under voltage. 3. Operation in wrong direction. 4. Fan speed too high. 5. Incorrect motor. (service factor 1.0, low ambient temp.) 6. Blocked cooling tube or leaky gasket. 7. Insufficient airflow to kitchen hood fan operating on low speed with kitchen in full operation. 8. Undersized motor. 	<ol style="list-style-type: none"> 1. Adjust tension or replace belts. 2. Contact power supply company. 3. Reverse direction of motor. 4. Slow down fan by opening variable pitch pulley on motor shaft. 5. Replace motor with correct open, NEMA service factors (1.15 or higher) with 40 degrees ambient. 6. Remove blockage and seal cooling tube in place. 7. Check airflow under hood and adjust kitchen equipment output. 8. Check motor ratings with catalog speed and air capacity chart.

Note: Care should be taken to follow all local electrical, safety and building codes. Provisions of the National Electric Code (NEC), as well as the Occupational Safety and Health Act (OSHA) should be followed.

All motors are checked prior to shipment. If motor defects should develop, prompt service can be obtained from the nearest authorized service station of the motor manufacturer while under warranty. Exchange, repair or replacement will be provided on a no charge basis if the motor is defective within the warranty period. The YORK® by Johnson Controls representative in your area will provide a name and address of an authorized service station if requested.

WARNING: Motor guarantee is void unless overload protection is provided in motor wiring circuit.



P.O. Box 1592, York, Pennsylvania USA 17405-1592
Copyright © by Johnson Controls 2015
Revised: 08/24/15

Tele. 800-861-1001
www.york.com

Subject to change without notice. Printed in USA
ALL RIGHTS RESERVED

For Product Warranty Support and Parts call 814-479-4005