



**MEVU
Wall Mount Adapter**

OPERATION & MAINTENANCE

Revised: 08/24/15



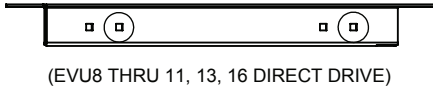
IMPORTANT! READ BEFORE PROCEEDING!

The information contained herein is, to the best of our knowledge, accurate and applicable for proper operation and installation of the specified equipment at the time this document entered service. Before proceeding, it is recommended that you check for a more current version of this Installation Operation Manual (IOM) on our website at www.johnsoncontrols.com.

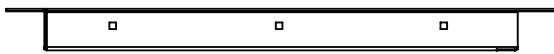
Read carefully before attempting to assemble, install, operate or maintain the product described. Protect yourself and others by observing all safety information. Failure to comply with instructions could result in personal injury and/or property damage! Retain instructions for future reference.

INSTALLATION

1. Locate top side of adapter for each size listed below.

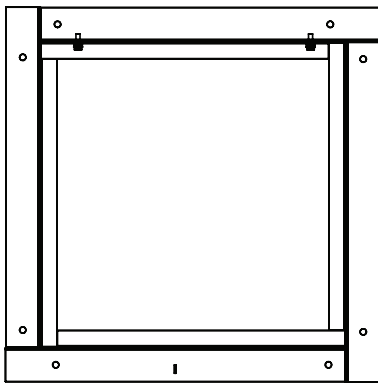


(EVU8 THRU 11, 13, 16 DIRECT DRIVE)

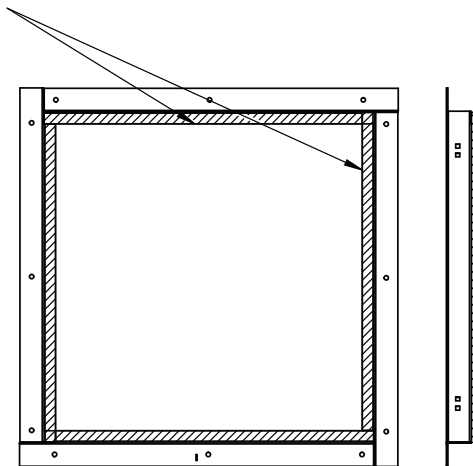


(ALL OTHER SIZES)

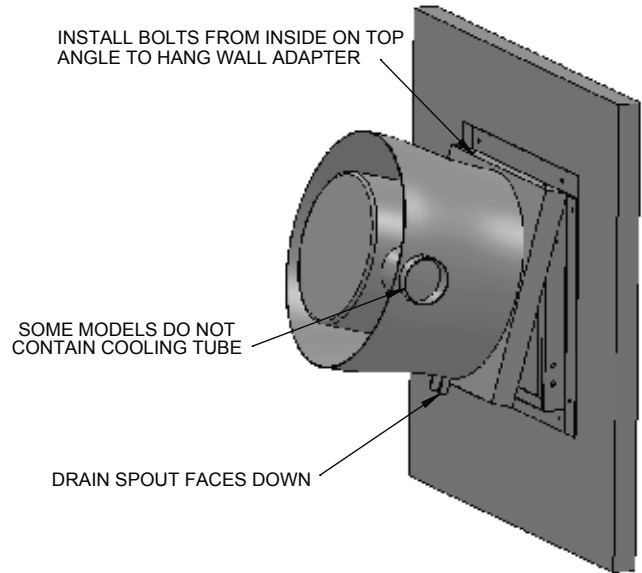
2. Install bolts threads up on top side.



3. Apply gasket to surface as shown.



4. Attach adapter securely to wall. (Fasteners not included. Depending on wall construction, this is to be attached at discretion of the installer.)



5. Hang fan from top bolts as shown; secure to wall adapter with remaining bolts.

